

Infranor Sales Offices and Distributors

REP. OF CHINA

INFRANOR MOTION CONTROL
TECHNOLOGY (Shanghai) Co.Ltd
Room. 601 No. 448 HongCao Rd.
Shanghai P.R. China CN-200233
Tel. + 86 21 6145545

FRANCE

INFRANOR S.A.
Immb. Newton 1 Georges Besse
F-92160 ANTONY
Tel. + 33 (0) 156451600

GERMANY

INFRANOR GmbH
Donaustrasse, 19a -
D-63452 HANAU
Tel. + 49 6181 180 120
Fax + 49 6181 180 1290

NETHERLANDS

INFRANOR S.A.
Einsteinstraat 6
Po Box 1317
NL-3260 LP OUD-BEIJERLAND
Tel. + 31 186 610 155
Fax + 31 186 614 535

SPAIN

INFRANOR SPAIN, S.L.U
C/ Occitània, 24
08911 BADALONA-Barcelona
Tel. + 34 934 601 631
Fax + 34 933 999 608

SWITZERLAND

INFRANOR SA
Rue des Uttins, 27
CH-1401 Yverdon-Les-Bains
Tel.: + 41 (0) 24 447 02 90
Fax.: +41 (0) 24 447 02 91

UNITED KINGDOM

INFRANOR L.T.D.
Unit 60A, Smithbrook kilns
Cranleigh, UK Surrey GU6 8JJ
Tel. + 44 1483 274887
Fax + 44 1483 276037

UNITED STATES

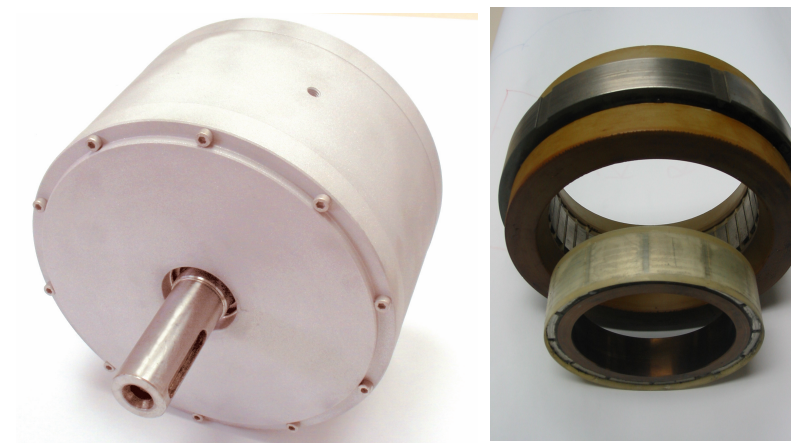
INFRANOR INC.
299 Ballardvale Street, Suite 4
Wilmington, MA 01887-1013
Tel. + 1 9789889002
Fax. + 1 9789889112

MAVILOR MOTORS SA

P.I. Can Bernades-Subirà
C/. Empordà 11-13
08130 Sta. Perpètua de Mogoda
Barcelona Spain
Tel: +34 93 574 36 90
Fax: +34 93 574 35 70



**MOTOR
POWER
GENERATOR**



Features

- Zero Maintenance Brushless Motor
- Compact Size
- High Efficiency, 90+%
- Light Weight
- Reduced Inertia
- Custom Solutions Available

ISO 9001
ISO 14001

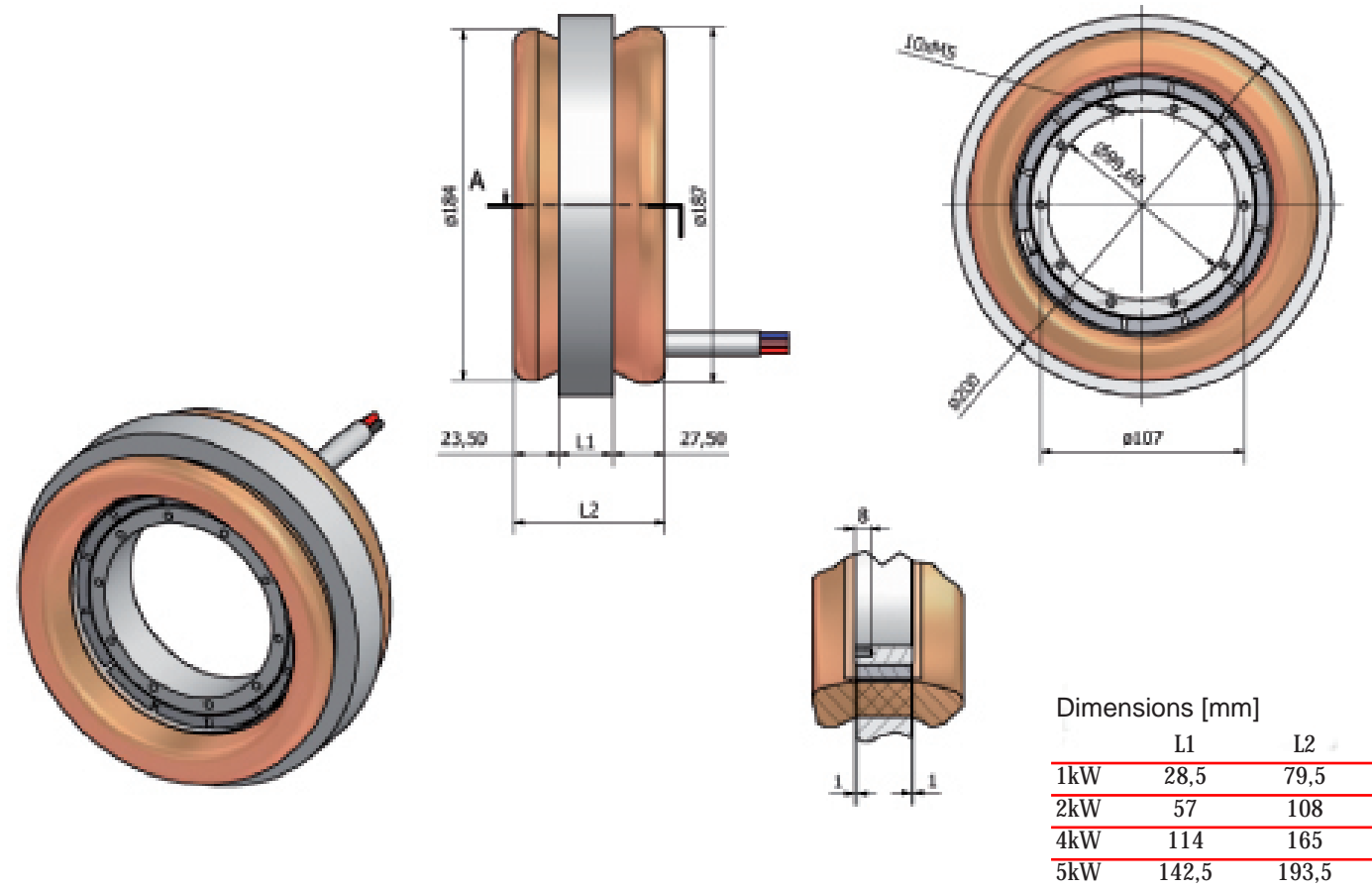
BUREAU VERITAS
Certification



Power Generator

This family of brushless motors features *Radial Slotted Technology*. This technology is ideal for Wind Turbine applications because it provides very high power in the smallest lightest package possible and because there is no maintenance required. These motors are easily modified for a variety of applications.

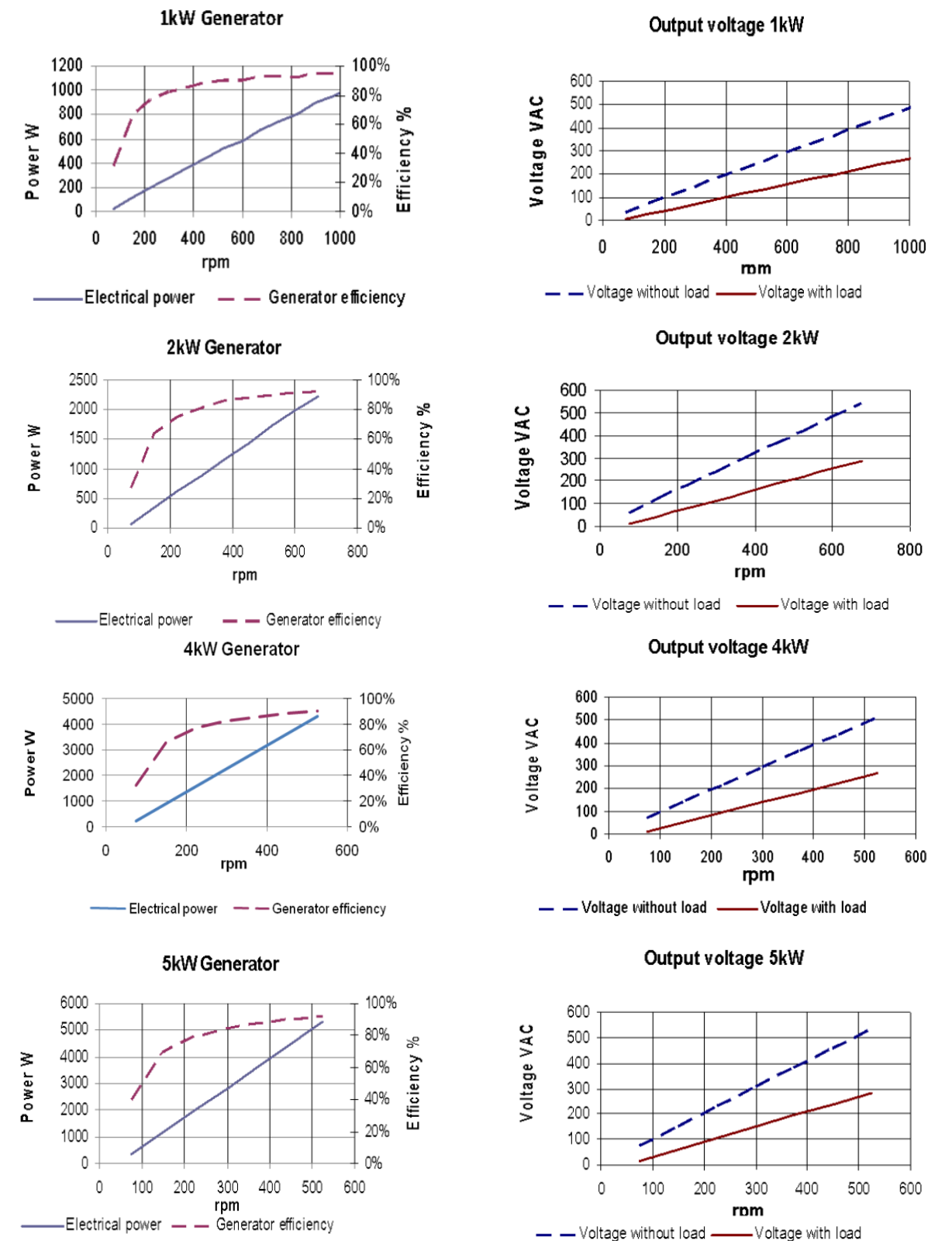
Mechanical Dimensions



Technical data

CHARACTERISTICS	SYMBOL	UNIT	1kW	2kW	4kW	5Kw
Rated speed	n	rpm	975	675	525	450
Rated power	P	W	957	2225	4290	4470
Rated output voltage without load	V ₀	V	475	541	512	459
Rated output voltage with load	V	V	452	498	463	413
Rated current	I	A	1,22	2,58	5,35	6,25
Peak current	I _p	A	4,88	10,32	21,4	25
Efficiency at rated power	η	%	95	92,1	90,4	90
Resistance phase to phase	R	Ω	15,2	13,6	7,6	6,1
Inductance phase to phase	L	mH	73	85	58	47
Rotor inertia	J	Kgm ² 10 ⁻³	5,8	11,3	20,6	25,2
N° of pair poles	p		6	6	6	6
Cogging torque	C _t	Nm	<0,35	<0,75	<1,5	<2
Weight	W	kg	6,4	11	20,7	25,5

Performance Curves



" For 30 years Infranor has been a technology leader developing high performance, high quality, motors and drives. We specialize in custom solutions including pitch control and power generation for Wind Applications "