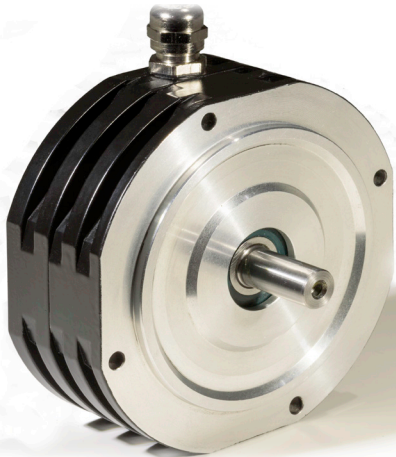




Xtrafors BR AC Servomotors

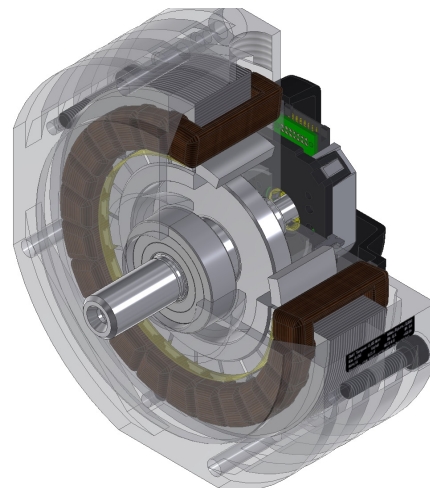


Features

- Solid and Hollow shaft.
- Reduced weight brushless motors.
- Small volume.
- High torque/weight ratio.
- Pancake size. Low center of gravity.

XtraforsBR, AC Servomotors

BR series multi-pole brushless motor, originally developed for direct drive use in AGVs, targeting a high torque-to-weight ratio.



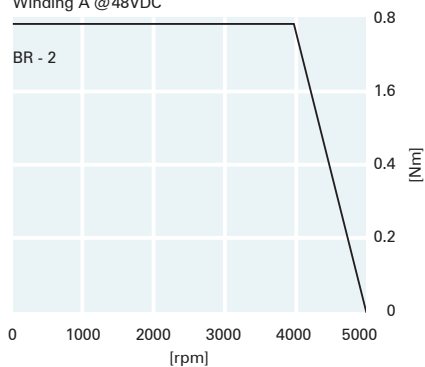
Technical data

	Stall Torque (Ms) (Nm)	Rated speed (M) (rpm)	Rated current (I) (Arms)	EMF constant (K _E) (Vs/rad)	Winding resistance (R) (Ω)	Rotor Inertia (J) (kg.m ² .10 ⁻³)	Mass (kg)
BR- 2	0.8	4000	8.00	0.06	0.71	0.016	0.47
BR- 3	2.6	3100	18.5	0.08	0.21	0.105	1.2
BR- 4	3.85	1500	15.0	0.15	0.25	0.385	2.18

Torque curves

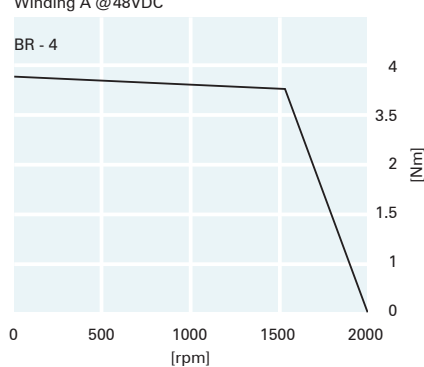
Winding A @48VDC

BR - 2



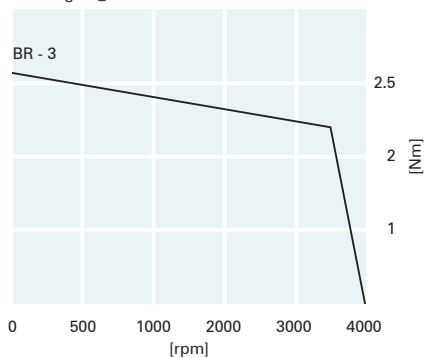
Winding A @48VDC

BR - 4



Winding A @48VDC

BR - 3



Standard version

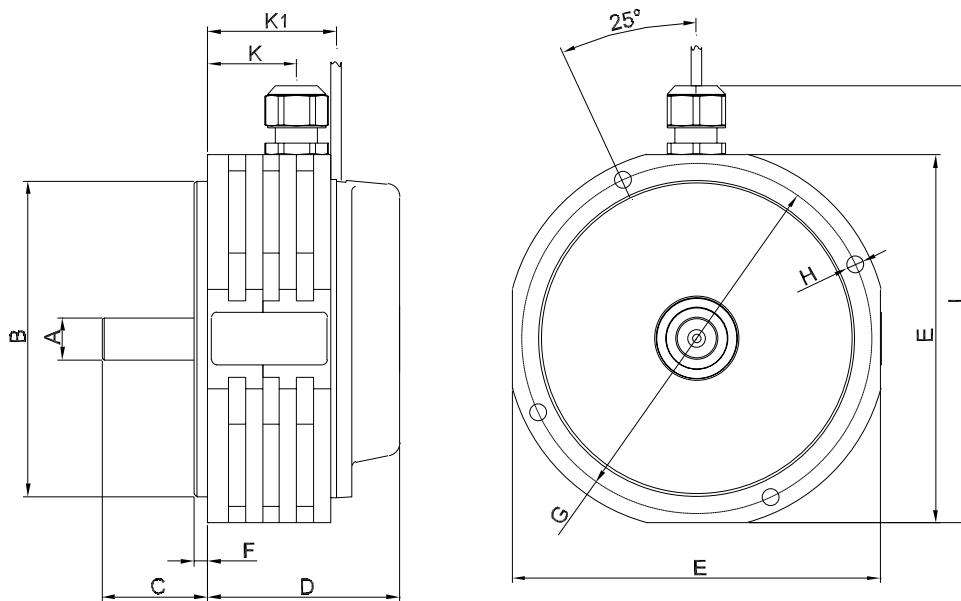
- Incremental encoder with commutation tracks
- 10 pair poles rotor
- Round flange
- Protection IP 54
- Flying leads output cables
- 48/24 VDC winding

Options

- Programmable encoder resolution 1000, 1024, 2000, 2048, 4000, 4096 ppr
- Brake
- Absolute Encoder

XtraforsBR high efficiency allows high autonomy in Battery powered systems.

Mechanical dimensions



Dimensions [mm]	BR - 2	BR - 3	BR - 4
A	8 k6	11 k6	16 k6
B	60j6	80 j6	115j6
C	20	23	40
D	36.5	40	53
E Ø	70	100	130
F Ø	2.5	3	3.5
G	66.5	95	127
H Ø	4xM3	4xM4	4xM4
I	83	121	153.5
K	17	27.5	27.5
K1	26	38.1	41

Addresses

Switzerland

Infranor SA
Rue des Uttins 27
CH-1400 Yverdon-les-Bains
Phone +41 24 447 02 90
Fax +41 24 447 02 91
www.infranor.ch
info.ch@infranor.com

Infranor AG
Glattalstrasse 37
CH-8052 Zürich
Phone +41 44 308 50 00
Fax +41 44 308 50 09
www.infranor.ch
info.ch@infranor.com

Germany

Infranor GmbH
Donaustrasse 19a
D-63452 Hanau
Phone +49 6181 18012 0
Fax +49 6181 18012 90
www.infranor.de
info.de@infranor.com

France

Infranor SAS
1, rue Georges Besse
F-92160 Antony
Phone +33 1 56 45 16 00
Fax +33 1 46 74 69 56
www.infranor.fr
info.fr@infranor.com

Spain

Infranor Spain SL
Occitània, 24
E-08911 Badalona
(Barcelona)
Phone +34 93 460 16 31
Fax +34 93 399 96 08
www.infranor.com
info.es@infranor.com

Mavilor Motors, S.A
C/. Empordà 11-13
E-08130 Santa Perpètua
Mogoda (Barcelona)
Phone +34 93 574 36 90
Fax +34 93 574 35 70
www.mavilor.com
mavilor@mavilor.es

U.K.

Infranor Ltd.
Studio 4, Building 555
Bentwaters Business Park
Rendlesham Suffolk
IP12 2TW
UK
Phone +44 1394 421 536
Fax +44 1394 421 192
www.infranor.com
info.uk@infranor.com

USA

Infranor U.S.A
299 Ballardvale street, suit 4
USA - Wilmington, MA 01887
Phone +01 203 729 8259
Fax: +01 203 729 6969
www.infranor.com
info.usa@infranor.com

China

**Infranor Motion Control
Technology (Shanghai) Co., Ltd.**
Room 601, No.448 Hongcao
Rd PR. China CN-200233
Shanghai
Phone +86 (0)21 6145 5455
Fax +86 (0)21 6145 5457
www.infranor.cn
info.cn@infranor.com



The Infranor Group

Infranor creates added value for its customers by providing tailor-made motion solutions.

Based on strong working relationships, Infranor offers extensive market know-how, comprehensive engineering skills and a wide range of high-quality products leading to productivity gains and therefore to comparative advantages for its customers in their respective markets.